


the  
future  
works

ORGATEC  
NEWS

with  
shared  
visions

brunner ::



A photograph of a modern office interior. A long, white, rectangular table is set up in a room with large windows. Several green chairs with white bases are arranged around the table. The room is bright and airy, with a concrete floor and a white ceiling. The windows look out onto a green outdoor area with a wooden fence.

EDITORIAL

# Shaping the future with shared visions.

Under the motto “the future works with shared visions”, we present our latest product innovations that are helping to shape the future of work.

In a dynamic environment that shifts between communication, concentration, contemplation and collaboration, our new products are flexibly configured to meet the requirements of the modern working day – from conference rooms and open-plan offices to cafeterias, hospitality and seminar rooms.

Our products reflect the versatility and dynamics of today’s workplace environments and provide exactly what you need in any setting: flexibility, comfort and stylish design. Let our innovations inspire you – after all, we are shaping the future of work together.

CONTENTS

wave	04
ray executive	12
wave light	16
scoop	20
advance	26
boards	30
pads	34
ray work	38
wait	44

wave

JEHS+LAUB





MOOD

# Overview.

## USPs:

- The clue's in the name: the table leg covers have a wavy linear design
- In addition to large table dimensions, the steel construction of the table legs combined with a sophisticated support structure for the table top also enables a variety of shapes
- For use in exclusive conference rooms
- The wavy wood or metal cover is magnetically attached to the support structure and can be stained or powder-coated in various colours. As can the pilaster strip that covers the side of the table leg
- The cable guide rail is inside the table leg. The magnetic attachment of the covers makes this easily accessible
- A wide range of customisation options are available on request



wave-shaped  
base frame



cross-shaped  
base frame

# Flowing elegance.

wave combines elegance and functionality for sophisticated conference rooms. The striking wave shape of the table legs creates a unique design, while the robust steel construction ensures maximum stability even with large dimensions. The flexible supporting structure, including cable guide rail, allows for a wide range of table shapes and numerous customisation options.





# When design and pleasure come together in harmony.



A new level of exclusivity for dining and hospitality. The elegantly curved, magnetically attached wood panelling combines style with flexibility. High-quality materials and bespoke options make it the ideal choice for stylish hospitality.





# A table that sets big ideas in motion.

This table transforms the management office into a place of exclusivity and efficiency. Its elegant design provides ample space for strategic thinking and decisive discussions. Modern yet inviting, it enhances any sophisticated office ambience and makes a clear statement for a professional and stylish work environment.





# Individualisations.

For even more exclusivity, wave can be customized with selected materials.



marble inlay



cable lids



wave-shaped veneer  
on the table leg



leather-covered table leg  
with decorative stitching

ray executive

J E H S + L A U B





# Overview.

## USPs:

- Premium conference chair for the most demanding requirements in terms of comfort and design
- The back construction with matching upholstery offers exceptional ergonomics and optimum seating comfort
- The sophisticated lines of the upholstery elements and the integration of the armrests creates a slender silhouette
- Available in three back heights
- With armrests in high-quality die-cast aluminium
- Optional synchronous mechanism with automatic weight adjustment for individual adaptability to the user
- The back can be locked at three different angles
- Five-star base with gliders or casters depending on the area of use



# Executive quality in design and comfort.



Whether in a conference room or highquality workplace – as a high-end chair, ray executive impresses with its outstanding ergonomics and stylish design. Perfectly matched cushions ensure maximum comfort, even during long working hours. Available in three back heights, it combines the highest standards of comfort and design into a harmonious whole.

wave light

JEHS+LAUB





COFFEE	2.5
ESPRESSO	2.5
MACCHIATO	3
CAPPUCCINO	3.5
LATTE	4
MOCHA	5
TEA	3
CHAI	4
COLD BREW BOTTLE	4

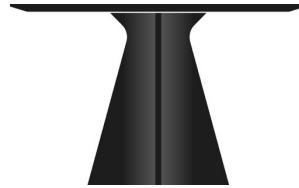
YOU BELONG HERE  
WELCOME HOME

THE KINFOLK

# Overview.

## USPs:

- Contemporary, inviting design for public spaces such as cafés and restaurants
- Available in two heights and a range of sizes
- Plastic frame manufactured using an innovative process, resulting in an especially lightweight and resource-efficient product
- Comfortable legroom thanks to the cross-shaped design of the table base
- Simple, thorough cleaning of the frame
- Design versatility thanks to various frame colours and table top finishes



bistro and cafeteria table



standing table



# A table as versatile as your spaces.



wave light brings modern, inviting design to cafés and restaurants. Available as a bistro and standing table and in various sizes, it impresses with its lightweight, resource-saving plastic frame. With three frame colours and a variety of tabletop finishes, it offers flexible design options for any public space.



scoop

J E H S + L A U B



# Overview.

## USPs:

- Smart design
- Design versatility thanks to a range of options: different frame types with and without armrests and various upholstery options
- Integration of the new Brunner colour range
- Stackable depending on frame type
- Easy-to-clean and disinfect plastic shell made of high-quality polypropylene with glass-fibre
- Back with recess for easy handling and cleaning
- Applications ranging from conferences to seminars, cafeterias to restaurants and even in the care sector





# Upholstered options.



seat upholstered



seat and back upholstered



fully upholstered



# Lightweight design, versatile use.



scoop provides impressive design possibilities tailored to different areas of use – from cafeterias and restaurants to conferences and seminars. With a number of frame types, optional armrests and various upholstery options, it is flexible enough to fit into any setting. Perfect for relaxed coffee breaks or lively meetings.



# Open to anything. As long as it's comfortable.

With its open-back design, scoop combines lightness with practical functionality. The elegant design creates a delicate look and makes everyday handling easier. Depending on the frame type, scoop can even be stacked. Ideal for cafes, bistros or seminar rooms where dynamism, lightness and efficiency are required.





advance

ROLAND SCHMIDT DESIGN



Project Timeline



01

# Overview.

## USPs:

- Folding table for exclusive seminar and event areas
- Die-cast aluminium frame in tried-and-tested T-shape with integral stacking rails
- Folding mechanism with fail-safe protection
- Cable guide rail in the table leg with optional cable routing to match the frame finish







## Folds like a charm: design and functionality in one.

advance combines elegant design with practical flexibility. The T-shaped die-cast aluminium frame with stacking rails provides stability and easy handling. The fail-safe folding mechanism ensures safety, while the clever cable guide rail in the table leg keeps things tidy. Perfect for stylish events.

boards

OSKO+DEICHMANN

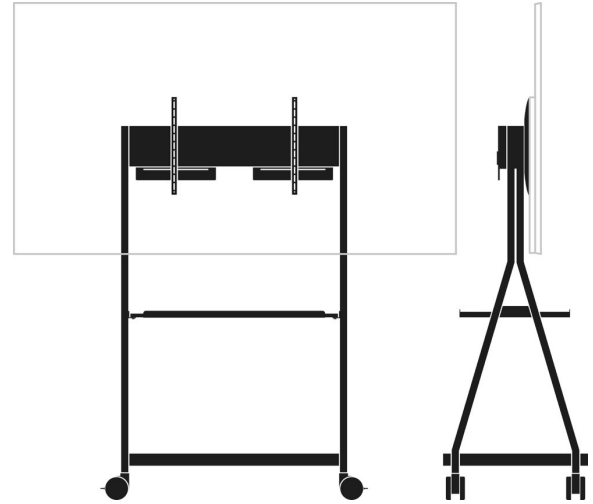




# Overview.

## USPs:

- The media cart is the logical addition to the extensive boards range
- Perfect for presentations and meetings e.g. with a large screen and video conference system
- Flexible and quickly ready for use in dynamic environments, such as offices, meeting rooms, co-working spaces etc.
- The high-quality steel construction of the frame and matching screen mount can accommodate screens of up to 85 inches
- With a useful shelf in various finishes
- The punched metal shelf provides additional storage space for items such as boards stools and toolboxes, etc.



# It is this easy to get presentations rolling.

The boards media trolley is the logical addition for flexible presentations. With its robust steel construction and matching screen holder, it holds even large screens safely and stylishly. Flexible and quick to set up – making your presentation a success before it even begins.



pads

JEHS+LAUB





# Overview.

## USPs:

- Expansion of the pads range
- Modern, fresh design combines comfort and flexibility
- Lightweight, manoeuvrable stool for use in lounge and waiting areas such as libraries and co-working spaces
- Also suitable for use with the pads range of chairs and sofas
- Available on gliders or casters







## The dice are rolled.

Whether on gliders or casters for dynamic seating – this stool always provides flexibility and comfort. As the perfect addition to armchairs and sofas from the pads collection, it combines mobility and comfort in a stylish way. Ideal for lounge and waiting areas, co-working spaces and wherever additional seating is welcome.



ray work

JEHS+LAUB



# Overview.

## USPs:

- Optional with wave-shaped stitching on models 9223 and 9225
- Frame made from recycled plastic when in color lava
- A dynamic seating experience thanks to a clever combination of materials and a synchronous mechanism with automatic weight adjustment
- Flexible plastic frame design that adapts to body movement
- Premium mesh back with a cosy feel: breathable and flexible while retaining its shape
- Wide range of colour and material combinations with mesh back as well as classic full upholstery
- For use in offices, conference settings or home offices, in an elegant and relaxed atmosphere







# Sustainability in perfection.

ray work in the colour lava is also available made from recycled plastic – without compromising on design or quality.





# Comfort at its most beautiful.

The flexible frame construction, also available in lava recycled plastic, provides exceptional comfort. For even greater comfort, ray work is available in a fully upholstered version with elegant wave stitching. Ideal for modern work environments where ergonomic seating comfort and aesthetic design are in perfect harmony.

# Elegance and ergonomics at their best.

Whether in the office, a conference room or the home office: The ultra-light and elegant ray work swivel chair can be customised and seamlessly adapted to suit any environment and body movements, creating a completely new seating experience.



wait

ROLAND SCHMIDT DESIGN







# Overview.

## USPs:

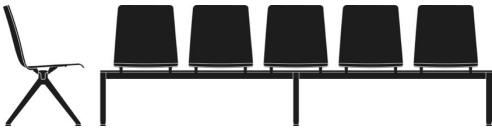
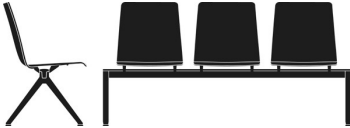
- Timeless design for classic waiting areas
- Durability through the use of high-quality materials
- Die-cast aluminium brackets enable easy attachment to the cross beam
- A shell-specific adapter bridges the gap between the shell and the bracket for connection to the beam seating system
- A large range of shells, made of mesh over plastic, wood and upholstery make it suitable for use in a wide range of areas
- Optional armrests on the end and between all seats plus tray tables offer additional design options



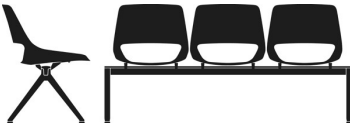
# Overview.



hero plus shell



scoop shell





# Waiting can be this pleasant.

And so worth it. With a wide selection of shells – from mesh and plastic to wood and upholstery – wait is perfectly suited to a wide range of settings. It can be extended from a two-seater to a five-seater and is flexible enough to adapt to your needs. Optional armrests and tray tables offer additional design options, making the bench a versatile solution for any waiting area.

Brunner lives for furniture  
that makes new things possible.



[brunner-group.com](http://brunner-group.com)